

MC 308C

Electromagnetic Transmitter

Description

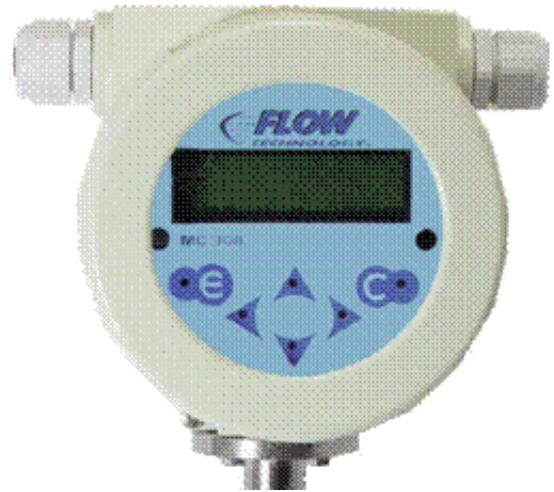
The MC 308C transmitter is our most versatile unit capable of displaying rate and total flows as well as providing multiple digital and analog outputs. The transmitter also has low power consumption capabilities, reverse flow indication, empty pipe alarm and optional RS 485 communication. The MC 308C is available in a cylindrical aluminum instrument enclosure and can be interfaced to all Flow Technology magnetic flow meters. It can be mounted directly on top of the flow meter or remote from the flow meter connected through a pair of cables, whose maximum length depends on the conductivity of the liquid (see figure 1).

The flow meter KA and KB coefficients are established during the factory flow meter calibration. These factors are normally programmed into the mating electronic at the factory prior to shipment, however the key pad of the MC 308 allows the user to enter or modify these coefficients. This key pad also allows the user to set the full scale flow rate, define the scaled pulse output, adjust alarm set points, adjust dosage volume, and set filtering controls for optimum performance.

The MC 308 transmitter has diagnostic capability that allows the unit to monitor the fluid level in the pipe to insure a full pipe and provide alarm output or zero reading in the event pipe fluid levels are not full. The unit also continuously monitors the health of the sensor electrodes and provides an alarm output in the rare event that a fault condition would occur within the electrode circuitry.

Features

- Pulse output representing scaled total or rate
- Pulse output based on alarms or batching
- One RS 485 serial interface
- Analog 4 -20 mA output
- 16 character, 2 line display
- Rugged, compact instrument design
- Diagnostics - empty pipe detection
- Forward and reverse flow
- Environmental protection to IP68
- DC and AC versions
- Password protection
- -4° to 140°F



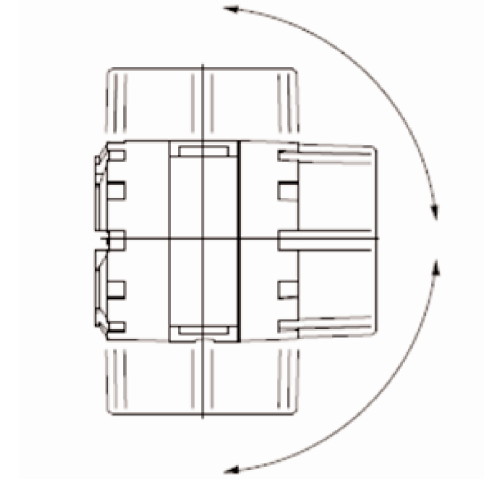
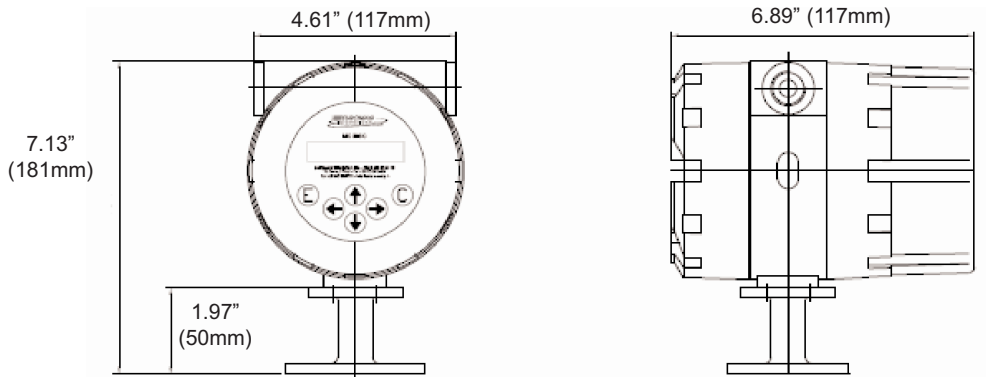
MC 308C - transmitter

Specifications

Power:	90 to 264 VAC 24 VAC and VDC
Digital Outputs:	Transistor based collector and emitter On board 24 VDC power supply 5 to 40 VDC external power supply Maximum Hz output 1kHz Pulse duration 0.5 to 9999ms
Digital Input:	Available function Totalizer reset Totalizer stop Scale exchange Stop/start batch
Analog Output:	4 to 20mA Maximum load 800 Ohm
Serial Output:	RS 485
Empty Pipe Alarm:	On-board diagnostics
Display:	2 lines and 16 characters
Autoranging:	Yes
Protection:	IP 68
Operating Temp:	-4° to 140° F
Language:	English, Spanish and Italian
Weight:	5.75 lb

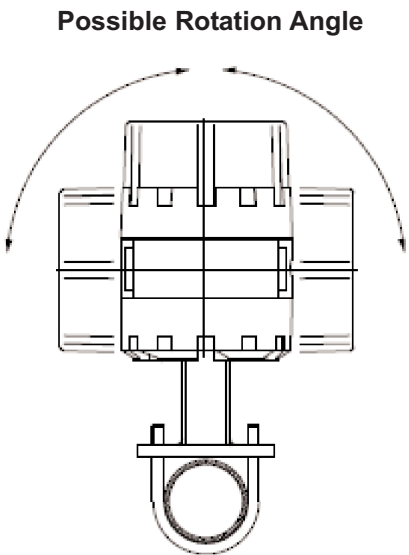
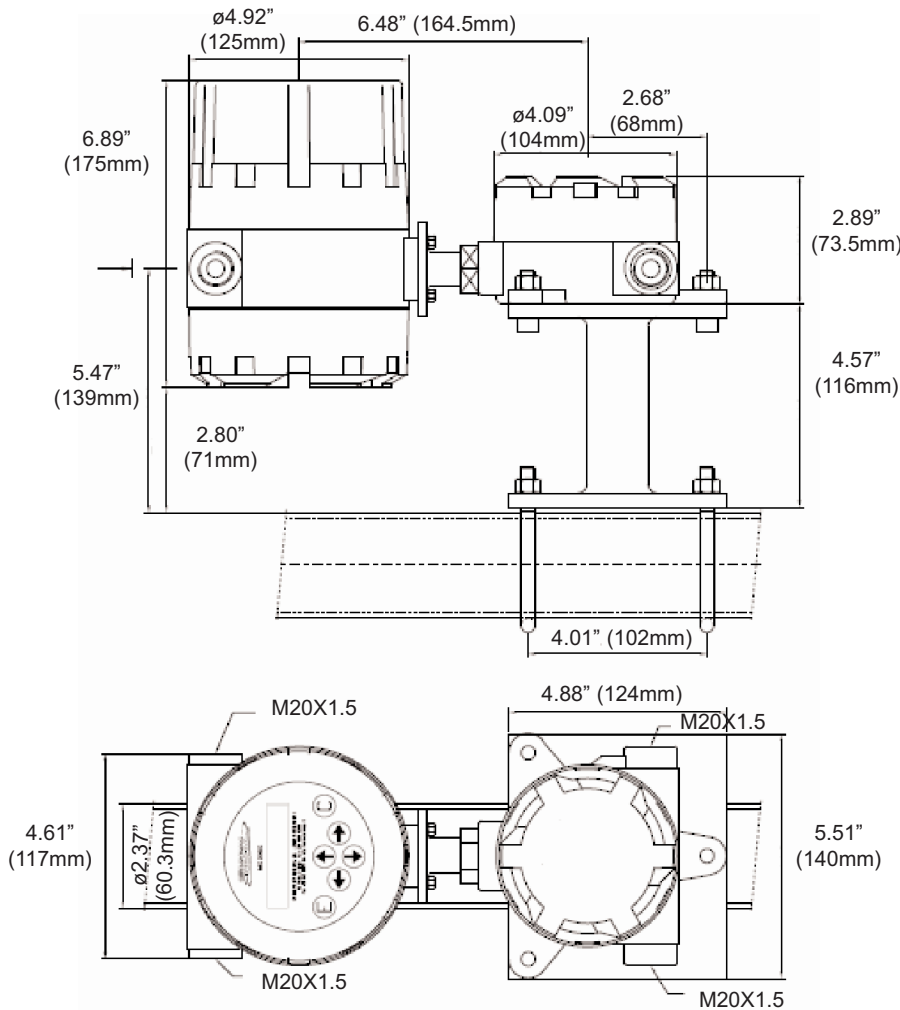
Dimensions

MC 308C mounted on flow meter



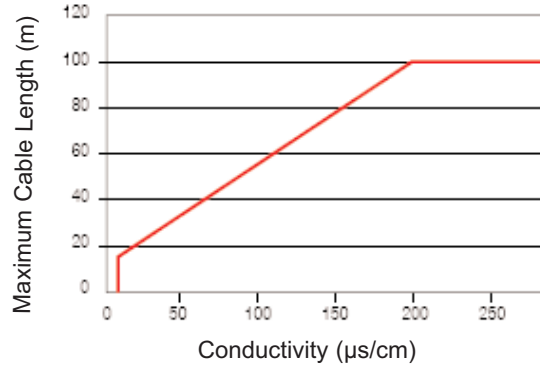
Possible Rotation Angle

MC 308C remote mounted



Possible Rotation Angle

Maximum Cable Length (figure 1)



Model Number

MC308C	CVM	2		3			
Display		Order Number					
With Display		2					
Power Supply		Order Number					
90 to 264 Vac		D					
24 Vac-dc		F					
Enclosure			Order Number				
IP 68 Aluminum Instrument Housing			3				
Installation			Order Number				
Mounted			C				
Remote			S				
Analog Outputs				Order Number			
4(0) to 20mA output				21			
Tropicalization (conformal coat)						Order Number	
No						N	
Yes						Y	



8930 S. Beck Avenue, Suite 107, Tempe, Arizona 85284 USA
 Tel: (480) 240-3400 • Fax: (480) 240-3401 • Toll Free: 1-800-528-4225
 E-mail: ftimarket@ftimeters.com • Web: www.ftimeters.com
 DB 68407 Rev A © 2007 FTI Flow Technology, Inc. Printed in USA

